

КАЗАНСКИЙ (ПРИВОЛЖСКИЙ)
ФЕДЕРАЛЬНЫЙ УНИВЕРСИТЕТ

ИНСТИТУТ ФИЛОЛОГИИ И ИСКУССТВ

English Terms

Use and Translation

Manual on Terminology

Английские термины

использование и перевод

учебно-методическое пособие по терминоведению

Казанский университет

2013

УДК 811.111'373 (075.8)

ББК 81.2 Англ-3 я 73

А 64

*Печатается по рекомендации Учебно-методической комиссии
Института филологии и искусств
Казанского (Приволжского) федерального университета*

Протокол № 8 от 30.05.2013 г.

Составитель –

канд. филол. наук, доцент кафедры иностранных языков и культур
ИФИ КФУ Н.Н. Бобырева

Рецензент –

канд. филол. наук, доцент кафедры иностранных языков и культур
ИФИ КФУ О.Г. Палутина

А 64 English Terms: Use and Translation = Английские термины: использование и перевод: учеб.-метод. пособие по терминоведению для студентов отделения переводоведения и межкультурной коммуникации / сост. Н.Н. Бобырева. Казань: Казан. ун-т., 2013. – 60 с.

Цель данного пособия – познакомить студентов с английскими терминами различных сфер деятельности, дать наглядное представление об особенностях использования терминов в речи, а также развить навыки их перевода в специальных контекстах.

Для практической работы по дисциплине «Терминоведение», преподаваемой студентам отделения переводоведения и межкультурной коммуникации.

УДК 811.111'373 (075.8)

ББК 81.2 Англ-3 я 73

© Бобырева Н.Н., 2013

© Казанский университет, 2013

Оглавление

Предисловие на русском языке.....	5
Предисловие на английском языке.....	6
<i>Раздел 1. Закон и преступность.....</i>	<i>7</i>
<i>Раздел 2. Экономика и финансы.....</i>	<i>10</i>
<i>Раздел 3. Медицина.....</i>	<i>13</i>
<i>Раздел 4. Психология.....</i>	<i>17</i>
<i>Раздел 5. Спорт.....</i>	<i>21</i>
<i>Раздел 6. Вооружённые силы.....</i>	<i>25</i>
<i>Раздел 7. Природа, окружающая среда и экология.....</i>	<i>28</i>
<i>Раздел 8. Наука и технология.....</i>	<i>31</i>
<i>Раздел 9. Строительство и архитектура.....</i>	<i>34</i>
<i>Раздел 10. Автомобили.....</i>	<i>37</i>
Приложение.....	42
Пример англо-русского глоссария экономических терминов.....	42
Пример англо-русского глоссария терминов автомобильного транспорта.....	51
Пример англо-русского глоссария архитектурных терминов.....	54
Список рекомендуемых лексикографических Интернет-источников.....	58
Библиография.....	59

Table of Contents

Foreword in Russian	5
Foreword in English	6
Unit 1. Law and Crime.....	7
Unit 2. Economics and Finance.....	10
Unit 3. Medicine.....	13
Unit 4. Psychology.....	17
Unit 5. Sport.....	21
Unit 6. Armed Forces.....	25
Unit 7. Nature, Environment and Ecology.....	28
Unit 8. Science and Technology.....	31
Unit 9. Building Construction and Architecture.....	34
Unit 10. Cars.....	37
Appendix	42
Sample English-Russian Glossary of Economic Terms.....	42
Sample English-Russian Glossary of Motor Transport Terms.....	51
Sample English-Russian Glossary of Architectural Terms.....	54
List of Recommended Lexicographic Online Resources	58
References	59

Предисловие

Настоящее учебно-методическое пособие посвящено проблемам использования терминов в речи и их перевода в специальном и неспециальном контекстах. Пособие состоит из 10 разделов. Каждый из них включает глоссарий соответствующих терминов с определениями. В каждый раздел входит также набор упражнений и заданий, предполагающих использование терминологических слов и словосочетаний, употребляемых в различных сферах коммуникации, и информация о рекомендуемых терминологических словарях. Выполнение коммуникативных заданий предполагает активное использование изученных терминов.

Для сдачи зачёта в конце семестра студенты составляют терминологический глоссарий, содержащий 100 единиц, употребляющихся в любой сфере деятельности или науке (по выбору студента). Три глоссария представлены в Приложении в качестве примеров.

Foreword

This Manual deals with the problems of terms usage and translation in special and non-professional contexts. The manual consists of 10 units. Each of them includes a glossary of corresponding terms with definitions. Every unit comprises a set of exercises and tasks on terminological words and word-groups used in different spheres of communication, and information about recommended terminological dictionaries. Doing the communication tasks students should use as many terms as possible.

To pass their examination at the end of the term students will have to compile a Terminological Vocabulary (Glossary). It should contain 100 terminological units used in any field of human activity or science. Three sample English-Russian glossaries are given in the Appendix.

Unit 1

Law and Crime

Glossary

abolition	<i>the official end to a law, system, practice, etc.</i>
arson	<i>the illegal use of fire to destroy a house, building, or property.</i>
bail	<i>money that is given to a court when someone is allowed to stay out of prison until their trial.</i>
burglary	<i>the crime of entering a building illegally in order to steal things.</i>
capital punishment	<i>the punishment of being legally killed.</i>
cell	<i>a small room where a prisoner is kept.</i>
custody	<i>a situation in which someone is kept in prison until they go to court for trial.</i>
drink-driving	<i>Br E driving after you have drunk too much alcohol. Am E drunk driving.</i>
firearm	<i>formal a gun, especially a small gun that you hold in one hand.</i>
forgery	<i>1) the crime of making copies of valuable documents or works of art in order to make money by selling them; 2) a document, painting, work of art etc. that is a copy of an original, and has been illegally represented as the original.</i>
fraud	<i>the crime of obtaining money from someone by tricking them.</i>
gang	<i>a group of criminals working together.</i>
hijacking	<i>an occasion when someone illegally takes control of a vehicle, especially a plane, using violence or threats.</i>
juvenile delinquency	<i>crimes committed by young people.</i>
joyriding	<i>informal the crime of stealing a car and driving it for pleasure, usually in a dangerous way.</i>
magistrate	<i>a judge in a court for minor crimes.</i>
mugging	<i>an attack on someone in a public place in order to steal their money, jewellery, or other possessions.</i>
perjury	<i>the crime of lying when you give evidence in a court of law.</i>
pickpocketing	<i>the crime of stealing money and other things from people's pockets and bags, especially in crowded places.</i>
poaching	<i>the illegal catching or killing an animal, bird, or fish.</i>
prosecution	<i>the process or act of accusing someone of a crime and asking a court of law to judge them.</i>
shoplifting	<i>the crime of stealing things from a shop.</i>

smuggling	<i>the practice of secretly and illegally taking goods or people into or out of a country, especially as a way of earning money.</i>
solicitor	<i>in the UK, a lawyer who gives legal advice, writes legal contracts, and represents people in the lower courts of law.</i>
speeding	<i>the offence of driving faster than the speed that is allowed in an area.</i>
theft	<i>the crime of stealing.</i>
trafficking	<i>the business of buying and selling things as drugs and weapons illegally.</i>
trespass	<i>the crime of entering a place without the owner's permission.</i>
warrant	<i>a document written by a judge that gives the police permission to do something, for example to arrest someone or to search a house.</i>
witness	<i>someone who sees a crime, accident, or other event happen.</i>

1.1. Complete the table below with the correct form of the words.

Crime	Person (Criminal)	Verb
arson	arsonist	to commit arson
burglary	burglar	to burgle
drink-driving		
forgery		
fraud		
hijacking		
joyriding		
mugging		
pickpocketing		
poaching		
shoplifting		
smuggling		
speeding		
theft		
trafficking		

1.2. a) Match a verb in Column A to a noun in Column B.

A	B
1. pay	a. someone hostage
2. burgle	b. a criminal
3. steal	c. money
4. catch	d. a ransom
5. hold	e. a flat
6. rob	f. a bank

b) Make up your own sentences with the word-groups.

1.3. Tick the words which describe an illegal activity.

forgery.....	hijacking.....	warrant.....
bail.....	trafficking.....	arson.....
mugging.....	cell.....	perjury.....

1.4. Complete the words in the sentences.

1. Suspects can be kept in police c_____ for up to 48 hours.
2. Police investigated a complex f_____ involving several bogus contractors.
3. A friend of mine was stopped for s_____, but they let him off with a caution.
4. The number of bank r_____ in our area has increased.
5. The police consider the gang are responsible for the f_____ of hundreds of certificates.
6. He was charged with the t_____ of company funds.
7. The court issued a w_____ for his arrest.

Communication Activities:

1. Which crimes are people in your country most concerned about? Which are the most difficult to solve, and why? Express your ideas.
2. Are you in favour of the death penalty? Do you think that it is the only way to deter criminals?

Recommended Terminological Dictionaries:

1. Англо-русский юридический словарь с транскрипцией = English-Russian Law Dictionary with Pronunciations / Ассоц. "Юридический центр"; Под общ. ред. И.В.Мироновой. - 2-е изд., испр. и доп. - СПб.: Юрид. центр Пресс, 2004. - 695 с.

2. Андрианов С.Н. Англо-русский юридический словарь = English-Russian Law dictionary: Ок. 50000 терминов / Андрианов С.Н., Берсон А.С., Никифоров А.С. – 3-е изд., испр. – М.: РУССО, 2005. – 509 с.

3. Колонтаевская И.Ф. Англо-русский криминально-юридический словарь = English-Russian Criminal-Juridical Dictionary / И.Ф.Колонтаевская. – М.: ЭКМОС, 2000. – 191 с.

4. Пивовар А.Г. Большой англо-русский юридический словарь: Более 50000 сл. и выражений / А.Г. Пивовар. – М.: Экзамен, 2003. – 863 с.

Unit 2

Economics and Finance

Glossary

account	<i>an agreement in which a bank looks after your money.</i>
asset	<i>something such as money or property that a person or company owns.</i>
cash	<i>money in the form of notes and coins.</i>
cooperation	<i>a situation in which people or organizations work together to achieve a result that will benefit all of them.</i>
credit	<i>an arrangement to receive goods from a shop or money from a bank and pay for it later.</i>
currency	<i>the system of money used in a particular country.</i>
customer	<i>a person or company that buys goods or services.</i>
debit	1) <i>an amount of money taken from a bank account; 2)</i> <i>an amount of money that you owe, especially when it is recorded in a company's account or on a bank statement.</i>
devaluation	<i>an official reduction in the value of a country's money.</i>
endowment	<i>the act of giving money to a school, hospital, or other institution.</i>
fund	1) <i>an amount of money that you collect, save, or invest; 2)</i> <i>a financial organization that manages an amount of money by investing it; funds pl money.</i>
grant	<i>an amount of money that the government or an organization gives you for a specific purpose and does not ask you to pay back.</i>
income	<i>money that someone gets from working or from investing money.</i>
interest	<i>money that a person or institution such as a bank charges you for lending you money or money that you receive from an institution such as a bank when you keep money in an account there.</i>

investment	<i>1) money used in a way that may earn you more money, for example money used for buying property or shares in a company; 2) the process of spending money in order to improve something or make it more successful.</i>
loan	<i>an amount of money that a person, business, or company borrows, especially from a bank.</i>
mortgage	<i>a legal agreement in which you borrow money from a bank in order to buy a house.</i>
premises	<i>the buildings and land that a business or organization uses.</i>
price	<i>the amount of money that you have to pay in order to buy something.</i>
profit	<i>money that you make by selling something or from your business, especially the money that remains after you have paid all your business costs.</i>
purchase	<i>the process of buying something or something that you buy.</i>
recession	<i>a period when trade and industry are not successful and there is a lot of unemployment.</i>
share	<i>one of the equal parts of a company that you can buy as a way of investing money.</i>
trade	<i>the activities of buying and selling goods or services.</i>
transaction	<i>the action or process of buying or selling something.</i>
trust	<i>an organization that manages money or property so that it can help other people or organization.</i>

2.1. a) Match the words in the left-hand column with those in the right to make terminological word-groups. Find their Russian equivalents.

financial	plan
lump	economy
credit	grant
pension	union
development	measures
restrictive	poverty
monetary	transaction
fiscal	growth
ailing	practices
abject	sum
economic	burden
debt	card

b) Make up your own sentences with the word-groups.

2.2. Expand the abbreviations given below and translate them into Russian:

APR, GDP, VAT, WTO, OPEC.

2.3. Complete the words in the sentences.

1. The scheme allows employees to buy s_____ in the company.
2. They decided to open an a_____ with this bank.
3. On his present salary he can get a m_____.
4. Investors have made a 90% p_____ in just 2 years.
5. European countries have entered into monetary union and have a single c_____.
6. We can get interest-free c_____ on all the products of this company.
7. I_____ in modern technologies are necessary nowadays.
8. The sale of goods is the most common form of commercial t_____.
9. The economy of this country has been in r_____ for several years.
10. Most of the villagers rely on farming for i_____.

2.4. Write the names of the currencies used in the following countries:

Argentina	Germany	Moldavia
Australia	Great Britain	the Netherlands
Austria	Greece	Nigeria
Belgium	India	Norway
Belarus	Indonesia	Poland
Brazil	Iran	Portugal
Bulgaria	Iraq	Russia
Canada	Israel	South Korea
China	Italy	Spain
Cyprus	Japan	Sweden
the Czech Republic	Kazakhstan	Switzerland
Denmark	Kirghizia	Turkey
Egypt	Latvia	Turkmenistan
Estonia	Lithuania	Ukraine
France	Malaysia	the United States of America
Georgia	Mexico	Vietnam

Communication Activities:

1. Look in your wallet or purse. What different types of cards do you carry? Give the dates on which they expire. What kinds of store cards do you own? Which ones would you like to own? Approximately what is the current APR on your credit card?
2. Go into a bank and look at what kinds of services they offer. Make a short report about all the things the bank does in English.

Recommended Terminological Dictionaries:

1. Жданова И.Ф. Англо-русский словарь по экономике и праву = English-Russian Dictionary of Economics and Law: ок. 40000 терминов / И.Ф.Жданова. – М.: РУССО, 2004 – 614 [1] с.
2. Жданова, И.Ф. Англо-русский словарь сокращений экономических терминов = English-Russian Dictionary of Abbreviations in Economics: ок. 10000 единиц / И.Ф.Жданова. – М.: Рус. яз. – Медиа, 2004. – 207 с.
3. Королькевич В.А. Англо-русский словарь живого финансово-экономического языка / В.А.Королькевич, Ю.В.Королькевич. – М.: ИД ФБК-ПРЕСС, 2003. – 318 с.
4. Кравченко Н.В. Бизнес-лексика: англо-русский, русско-английский словарь. – М.: Эксмо, 2008. – 671 с.
5. Пивовар А.Г. Большой англо-русский финансово-экономический словарь. – 2-е изд., испр. / Под ред. В.И.Осипова. – М.: Издательство «Экзамен», 2003. – 960 с.

Unit 3 Medicine

Glossary

abscess	<i>a painful swollen area on your skin or inside your body that is infected and filled with pus (=unpleasant yellow liquid).</i>
acupuncture	<i>a medical treatment from China that involves putting special needles into particular parts of the body.</i>
bronchitis	<i>an illness affecting your bronchial tubes in which you cough and find breathing difficult.</i>
chemotherapy	<i>the treatment of diseases, especially cancer, by drugs.</i>
cosmetic surgery	<i>medical operations that improve someone's appearance.</i>
dentures	<i>artificial teeth worn by people who do not have their own teeth.</i>

diabetes	<i>a serious medical condition in which your body does not produce enough insulin to reduce the amount of sugar in the blood.</i>
haemoglobin	<i>the substance in blood that contains oxygen.</i>
haemophilia	<i>a serious illness that prevents your blood from clotting (=becoming thick) when it should, for example when you cut yourself.</i>
hepatitis	<i>an infectious disease of the liver that can be very serious.</i>
inflammation	<i>an area on your body that is swollen, red, and painful because of the infection or injury.</i>
insomnia	<i>a medical condition in which you have difficulty sleeping.</i>
keyhole surgery	<i>Br E a type of medical operation which is performed through a very small hole in a person's body, using very small electronic cameras.</i>
measles	<i>an infectious disease common in children in which there are red spots all over the body and a high temperature.</i>
metabolism	<i>the chemical processes that take place in your body that change food and drink into energy.</i>
mumps	<i>a disease that mainly affects children in which the neck becomes swollen and painful.</i>
ointment	<i>a thick smooth substance that you put on sore or injured skin.</i>
plague	<i>any serious disease that spreads quickly to a lot of people and usually ends in death; the plague a disease that spreads quickly, causing a high fever, lumps on parts of your body, and in the past usually death.</i>
prescription	<i>a piece of paper that doctor gives you that says what type of medicine you need.</i>
schizophrenia	<i>a serious mental illness in which the way you think and feel is not connected with what is really happening.</i>
shot	<i>an injection of a drug (=when it is put into your body using a needle) given as a medical treatment.</i> have/get a shot.
transfusion	<i>a medical treatment in which blood from one person is put into another person's body.</i>
ulcer	<i>a sore area on the inside of an organ in your body or</i>

wound

on your skin that sometimes bleeds or produces a poisonous substance.

an injury in which your skin or flesh is damaged, usually seriously.

3.1. Match the words in the left-hand column with those in the right to make word-groups used in medicine. Find their Russian equivalents.

itchy	fever
splitting	stomach
hay	ulcer
blood	test
X-ray	scalp
mouth	therapy
heart	drug
Mantoux	headache
upset	transplantation
prescription	pressure

b) Make up your own sentences with the word-groups.

3.2. Which is the odd one out in each group, in terms of the main word stress?

Example ointment injection prescription (answer: *ointment*; stress on first syllable)

1. allergy asthma haemophilia
2. heart disease skin cancer sore throat
3. hepatitis rheumatism tuberculosis
4. illness sickness infection
5. paediatrician psychiatrist dentist
6. slimming obesity transfusion
7. abscess cholera neurosis

3.3. Expand the abbreviations given below and translate them into Russian:

TB, CNS, GP, NHS, DNA, RNA.

Idioms to do with the body

be all fingers and thumbs	<i>to be unable to do a small difficult job because you cannot control your fingers well enough.</i>
have/get/feel butterflies in your stomach	<i>to feel very nervous or excited about something that you have to do, especially something important.</i>
go over sb's head	<i>to go to a more important or powerful person in order to get what you want.</i>
have green fingers	Br E <i>to be good at growing plants.</i> Am E have a green thumb.
pull sb's leg	<i>to tell something that is not true, as a joke</i>
put your foot in it	Br E <i>to accidentally say something that is embarrassing or that upsets or annoys someone.</i> Am E put your foot in your mouth.
have one eye on sth	<i>to keep looking at or paying attention to something while you are doing something else.</i>
turn your nose up at sth	<i>informal to refuse to accept something, especially because you do not think it is good enough.</i>
up to your neck in sth	<i>informal very involved or busy with something.</i>
try your hand at sth	<i>to do an activity for the first time in order to find out whether you like it or are good at it.</i>

3.4. a. Complete the sentences with one word of the idiom.

1. He was furious that she went over his _____ and complained to his manager.
2. He decided to try his _____ at writing a poem.
3. She had one _____ on the clock the whole time.
4. You've made your garden absolutely beautiful. You really have green _____.
5. That's the second glass I've dropped. I'm all _____ and _____ today.

6. Ann really put her _____ in it by telling John about the surprise party.
7. It was very unkind of you to turn your _____ up at the dessert: she spent hours making it.
8. I don't believe him. I' sure he's just pulling my _____.
9. I can't go out tonight - I'm up to my _____ in paperwork.
10. I often get butterflies in my _____ before an exam.

b. Make up your own sentences with the idioms.

Communication Activities:

1. Describe the peculiarities, symptoms and ways of treatment of a disease.
2. Work in groups of three. Choose one of the topics: being vegetarian, smoking in public places, cosmetic surgery. Take turns to give opinions, clarify your position and give the opposite opinion if appropriate.
3. Express you point of view on the health services in your country.

Recommended Terminological Dictionaries:

1. Акжигитов Г.Н., Акжигитов Р.Г. Англо-русский медико-биологический словарь сокращений: Ок. 25000 терминов. - М.: Наука, 2001. - 426 с.

2. Болотина А.Ю., Якушева Е.О. Англо-русский и русско-английский медицинский словарь = English-Russian and Russian-English Medical Dictionary: ок. 24000 терминов. - М.: РУССО, 2006. - 541 с.

3. Петров В.И. Англо-русский толковый словарь по медицинской микробиологии, вирусологии и иммунологии = English-Russian Dictionary of Medical Microbiology, Virology and Immunology: около 8700 терминов: [словарь-справочник] / В.И.Петров, А.И.Перепелкин; под общ. рук. акад. В.И.Петрова. - Москва: Медицина, 2004. - 311,[1] с.

Unit 4 Psychology

Glossary

ambition

1) *something that you very much want to do, usually something that is difficult to achieve; 2)* *the feeling that you want very much to become successful, rich, famous, etc.*

choleric complex

*formal a choleric person becomes angry very easily.
an emotional problem caused by unreasonable fears and worries.*

consciousness	1) <i>the state of being awake and able to hear, see and think; 2)</i> <i>the knowledge or understanding that something exists or is important; 3)</i> <i>someone's mind and thoughts; 3a)</i> <i>the beliefs, opinions, and feelings of a group of people.</i>
depression	<i>a feeling of being extremely unhappy.</i>
encouragement	<i>words or actions that give someone confidence or hope.</i>
extrovert	<i>someone who is very confident, lively and likes social situations.</i>
inspiration	<i>a sudden feeling of enthusiasm or a new idea that helps you to do or create something.</i>
introvert	<i>someone who tends to concentrate on their own thoughts and feelings rather than communicating with other people.</i>
intuition	<i>an ability to know or understand something through your feelings, rather than by considering facts or evidence.</i>
maturity	<i>the qualities and behaviour that you would expect of a sensible adult.</i>
mind	1) <i>the part of you that thinks, knows, remembers, and feels things; 2)</i> <i>your intelligence and ability to understand things.</i>
mindset	<i>a way of thinking about things.</i>
nerves pl	<i>a worried feeling that makes you afraid that you will not be able to do something well.</i>
obsession	<i>an emotional state in which someone or something is so important to you that you are always thinking about them, in a way that seems extreme to other people.</i>
outlook	1) <i>an idea about what a situation will be like in the future; 2)</i> <i>your general attitude to things.</i>
perception	1) <i>a particular way of understanding or thinking about something; 2)</i> <i>the ability to notice something by seeing, hearing, smelling, etc.; 3)</i> <i>the ability to understand and make good judgments about something.</i>
phlegmatic	<i>able to be calm in a dangerous or frightening situation.</i>
preconception	<i>an idea or opinion about something that you form before you have a lot of information about it or experience of it.</i>
prejudice	<i>an unreasonable opinion or feeling, especially the feeling of not liking a particular group of people.</i>
privacy	<i>the freedom to do things without other people watching you or knowing what you are doing.</i>

sanguine	<i>formal confident and hopeful about what might happen, especially in a difficult situation.</i>
sense	<i>1) a strong feeling or belief about yourself; 2) one of the natural abilities that most people have to see, hear, smell, taste, and feel things; 3) a good reason or a useful purpose.</i>
subconscious	<i>relating to thoughts or feelings that you have but do not think about, or do not realize you have.</i>
temper	<i>1) a tendency to get angry very quickly; 2) a particular emotional state or mood.</i>
temperament	<i>someone's basic character, for example their tendency to be happy, angry, etc.</i>

4.1. Complete the sentences with a single word in each space.

1. As a result of the accident, he fell into a coma and never regained _____.
2. She suffered a lot from _____ after the death of her husband.
3. The company will have to change its whole _____ if it is to survive.
4. If you keep telling her she's clumsy, you'll give her a _____.
5. After years of tedious work, a flash of _____ provided a major breakthrough.
6. The public's _____ of her is slowly changing.
7. You need a good _____ of balance to skate well.
8. Archaeologists often use their _____ to decide where to dig.
9. She asked for a drink to calm her _____.

4.2. a. Match the adjectives with the definitions:

apathetic, determined, even-tempered, inquisitive, neurotic, obstinate, open-minded, perceptive, rebellious, strong-minded, thoughtful, well-adjusted

- a. extremely worried about something unimportant in a way that does not seem reasonable to other people;
- b. asking a lot of questions about things, especially things that people do not want to talk about or keen to learn about a lot of different things;
- c. able to notice or understand things quickly and easily;
- d. kind and showing that you consider that what other people want or need is important;

- e. not at all interested in or enthusiastic about anything, and not willing to make any effort to change things;
- f. fighting to remove a government or leader by force;
- g. determined to achieve something you want;
- h. not willing to let anything prevent you from doing what you have decided to do;
- i. willing to consider new ideas;
- j. mentally strong and able to deal with problems without becoming very upset;
- k. not often angry or upset;
- l. not willing to be reasonable and change your plans, ideas, or behaviour.

b. Make up your own sentences with the adjectives.

Astrological Signs

Signs of the Zodiac	Date of birth	Someone who is believed to be influenced by the sign
Aries (<i>Fire</i>), represented by a ram (=male sheep)	21 March - 20 April	an Aries
Taurus (<i>Earth</i>), represented by a bull (=male cow)	21 April - 21 May	a Taurus or a Taurean
Gemini (<i>Air</i>), represented by twins	22 May - 21 June	a Gemini
Cancer (<i>Water</i>), represented by a crab (=sea animal with a hard shell)	22 June - 22 July	a Cancer or a Cancerian
Leo (<i>Fire</i>), represented by a lion	23 July - 22 August	a Leo
Virgo (<i>Earth</i>), represented by a young woman	23 August - 22 September	a Virgo
Libra (<i>Air</i>), represented by a pair of scales	23 September - 22 October	a Libra or a Libran
Scorpio (<i>Water</i>), represented by a scorpion	23 October - 21 November	a Scorpio or a Scorpion
Sagittarius (<i>Fire</i>),	22 November -	a Sagittarius

represented by an animal that is half horse and half human	21 December	
Capricorn (<i>Earth</i>), represented by a goat	22 December - 19 January	a Capricorn
Aquarius (<i>Air</i>), represented by a person pouring water	20 January - 19 February	an Aquarius
Pisces (<i>Water</i>), represented by two fish	20 February - 20 March	a Pisces

Communication Activities:

1. Prepare a description of your astrological sign.
2. Prepare a report about any psychological problem (lack of self-confidence, generation gap, Internet addiction).

Recommended Terminological Dictionaries:

1. Залевский Г.В. Краткий русско-англо-немецкий словарь по психологии = Concise Russian-English-German Dictionary of Psychology: (с указанием английских и немецких терминов): около 3500 терминов / Г.В.Залевский, Е.И.Залевская, В.Г.Залевский. – Москва: Академия, 2004. – 223 с.
2. Никошкова Е.В. Англо-русский словарь по психологии = English-Russian Dictionary of Psychology: ок. 20000 терминов / Е.В.Никошкова. – 3-е изд., стер. – М.: РУССО, 2003. – 351 с.

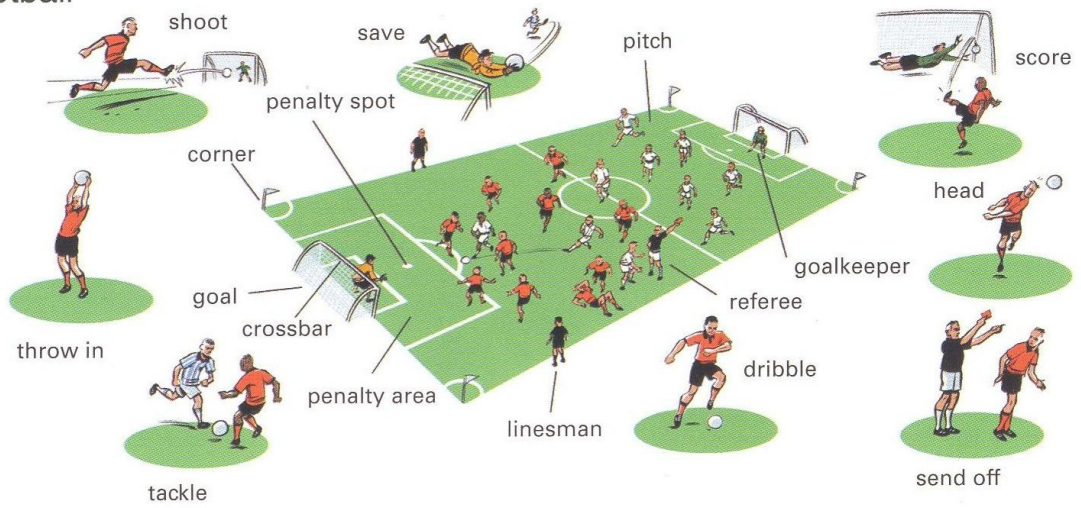
Unit 5 Sport

Glossary

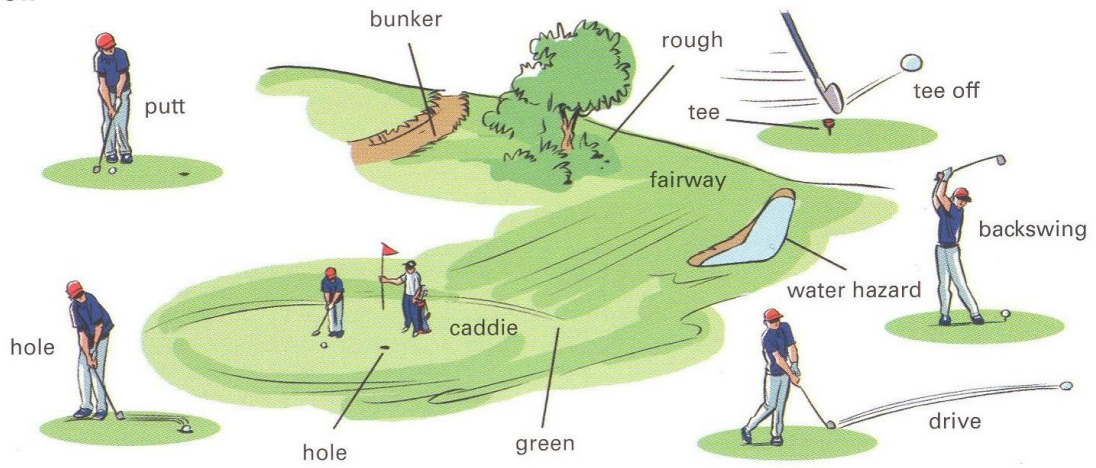
all-round	Br E <i>good at doing a lot of different things, especially in sport.</i>
archery	<i>the sport of shooting arrows from a bow.</i>
athletics	Br E <i>sports events in which people compete against each other in running races, jumping and throwing things.</i> Am E track and field.
draw	1) <i>a game that ends with both teams or players having the same number of points; 2)</i> <i>a way of choosing which teams or players will compete against each other by taking names out of a container.</i>
fencing	<i>the sport of fighting with a light thin sword.</i>

heat	<i>a game or race at the start of a competition. The winners of the heats then compete against each other at the next stage.</i>
the high jump	<i>a sports event in which people try to jump over a bar that can be raised higher after each jump.</i>
javelin	<i>a long pointed stick that is thrown in a sports competition; a. the javelin a sports competition in which someone throws a javelin as far as they can.</i>
knockout	<i>Br E a competition in which the player or team that loses a game does not take part in later games.</i>
league	<i>a group of teams or players who regularly compete against each other, put in order according to how many points they have won.</i>
the long jump	<i>a sports event in which each person tries to jump further than the other people.</i>
the pole vault	<i>a sport in which you use a long pole to push yourself over a high bar.</i>
promotion	<i>a move to a higher level in a company, institution, or sport.</i>
relay (race)	<i>a race between two or more teams where each member of the team does part of the race and then another member continues.</i>
rowing	<i>the activity of moving a boat through water using oars, either for pleasure or as a sport.</i>
runner(s)-up	<i>a person or team that does not win a competition or race but is second, or is close to winning.</i>
stand	<i>often pl a part of a sports stadium where people sit or stand to watch a match or event.</i>
tournament	<i>a series of games in which the winner of each game plays in the next game until there is one player or team left.</i>
trampoline	<i>a piece of equipment consisting of a metal frame with a strong material stretched across it that you can jump up and down on for exercise or as a sport.</i>
trial	<i>a sports competition during which people are tested and chosen for a later competition.</i>
victory	<i>the fact of winning a competition or battle, or an occasion when someone wins.</i>
weightlifting	<i>the sport of lifting heavy things.</i>

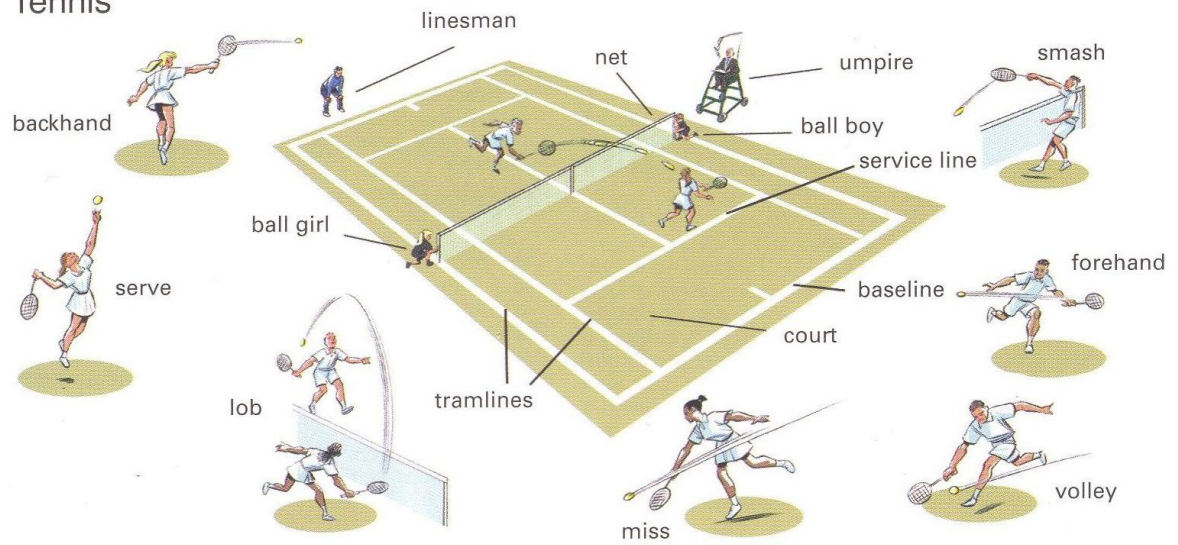
Football



Golf



Tennis



5.1. Where do people go in for sports?

a) Match the words in the left-hand column with those in the right to form compound nouns.

football	track
boxing	pool
running	course
swimming	pitch
golf	hall
basketball	centre
sports	court
fitness	ring

b) Make up your own sentences with the compound nouns.

5.2. Put the names of the sports or activities in the correct column.

aerobics, athletics, cycling, basketball, football, gymnastics, jogging, running, swimming, tennis, volleyball

do
athletics

play
football

go
jogging

5.3. a. Read and translate the word-groups.

(running) is good exercise, to lose weight, to tone you muscles, to calm you down, to make you feel good/better, to help you relax, to get fit, to improve general fitness, to increase your sense of well-being.

b. Make up your own sentences with 3 word-groups.

5.4. Match the sport and fitness metaphors with their definitions and find their Russian equivalents.

1. **to score an own goal**

a. *a situation that is fair for all the people involved*

2. **neck and neck**

b. *to avoid a difficult subject or situation*

3. **level playing-field**

c. *to have some chance/no chance of success*

4. **to skate over/around**

d. *to make things worse rather than better*

5. **to move/shift the goal-posts** e. *to do something or deal with something very easily*
6. **foul play** f. *involved in a close race, competition etc.*
7. **to sail through** g. *to change the rules and make it difficult for people to achieve something or to know what to do*
8. **to be in/out of the running** h. *behavior that is not fair or honest or does not keep to accepted rules*

b) Make up your own sentences with the metaphors.

Communication Activities:

1. Prepare a report about one kind of sport. Give information about its history, rules, and famous sportsmen.
2. Prepare a report about the Olympic Games and the Universiade. Speak about the history and mention the kinds of sport included.

Recommended Terminological Dictionaries:

1. Нечаев, И.В. Русско-английский спортивный словарь / И.В.Нечаев. – М.: Рус. яз. – Медиа, 2006. – X, 196, [2] с.
2. Русско-английский, англо-русский словарь-справочник спортивной терминологии: Учеб. пособие для студентов фак. и ин-тов физкультуры и спорта / М-во образования Рос. Федерации. Дальневост. гос. ун-т.; [Л.П. Бондаренко и др.]. – Владивосток. Изд-во Дальневост. ун-та, 2000. – 482, [2] с.

Unit 6 Armed Forces

Glossary

battalion	<i>a large group of soldiers that consists of three or more smaller groups called companies.</i>
civil	<i>relating to or involving ordinary people, not the armed forces.</i>
civilian	<i>someone who does not belong to the armed forces or the police.</i>
colonel	<i>an officer of high rank in the army, the marines, or the US Air Force.</i>
combat	<i>fighting during a war.</i>

company	<i>a group of soldiers that is usually divided into two or more smaller groups called platoons.</i>
conscription	<i>the process of making people join the armed forces.</i>
corps	Am E the draft. 1) <i>a part of an army that has particular responsibilities: the Medical Corps; 1a)</i> <i>a part of an army that consists of at least two divisions (=large units).</i>
demobilize	<i>to send members of military forces home, especially after a war has ended. demobilization n.</i>
guerilla	<i>a member of a military group that is not official and usually wants to change a political situation. Their main method is to make unexpected attacks to surprise the enemy.</i>
enlist	<i>if someone enlists or is enlisted, they join the armed forces of their country.</i>
lieutenant	<i>an officer of low rank in most armed forces.</i>
marine	<i>a soldier whose job is to fight on both land and sea.</i>
the military	<i>a country's armed forces, or the people who are in charge of them.</i>
manoeuvre	<i>a planned movement by a military group involving many soldiers, vehicles, ships, or planes in a particular place.</i>
missile	<i>a weapon that travels under its own power for long distances and explodes when it hits its target.</i>
navy	<i>the part of a country's armed forces that can fight at sea.</i>
nuclear weapon	<i>a powerful bomb or other weapon that uses nuclear energy.</i>
regiment	<i>a group of soldiers that can be divided into smaller groups called battalions and whose leader is called a colonel.</i>
operation	<i>a planned activity involving a lot of people, especially soldiers or police officers.</i>
peacekeeping	<i>military efforts to prevent war, especially between groups who have been fighting.</i>
platoon	<i>a small group of soldiers that a lieutenant is in charge of.</i>
reserve	<i>a soldier or a group of soldiers who are not fighting but who are available to fight.</i>
troops	<i>pl soldiers, especially in large numbers.</i>

warfare
weapon

the activity of fighting a war.

an object that can be used to hurt people or damage property, for example a gun, knife, or bomb.

6.1. Match the words in the left-hand column with those in the right to make terminological word-groups.

armed	corps
lethal	force
marine	capability
military	combat
unarmed	weapon
air	submarine
nuclear	forces
missile	service

b) Make up your own sentences with the word-groups.

6.2. Replace the underlined word(s) with a single word that has a similar meaning.

1. The decision was taken by the armed forces. _____
2. There was very little armed fighting in the forest yesterday. _____
3. Undoubtedly, this gun is a deadly weapon. _____

6.3. Complete the sentences with a single word in each space.

1. During the war their forces were engaged in guerilla _____.
2. He had to leave shortly after he was _____ in the Army.
3. The officers all carried automatic _____.
4. Large numbers of soldiers were _____.
5. The armed forces are called upon to assist in international _____ operations.
6. _____ army is only mobilized when needed and is therefore much cheaper.

Communication Activities:

1. Give information about military service in your country. Is it enforced? What is your personal attitude to military service?
2. Speak about a professional and a reserve army in your country.

3. What do you know about the nuclear capability of different countries in the modern world?

Recommended Terminological Dictionaries:

1. Англо-русский военный словарь = English-Russian Military Dictionary: В 2 т.: А-Л. около 70000 терминов / [Судзиловский Г.А. и др.]; Под ред. В.Н.Шевчука, В.М.Полюхина. – Издание 3-е, перераб. и доп. – Москва: Воениздат, 1987. – 655 с.
2. Англо-русский военный словарь = English-Russian Military Dictionary: В 2 т.: М-Z около 70000 терминов / [Судзиловский Г.А. и др.]; Под ред. В.Н.Шевчука, В.М.Полюхина. – Издание 3-е, перераб. и доп. – Москва: Воениздат, 1987. – 688 с.

Unit 7

Nature, Environment and Ecology

Garden Glossary

annual	<i>a plant that grows for only one season</i>
biological pest control	<i>using living organisms, such as beneficial insects or parasites, to destroy garden pests.</i>
bulb	<i>the part of a plant that is shaped like an onion from which a flower grows.</i>
compost	<i>a mixture of decaying plants and vegetables that is added to soil to improve its quality.</i>
cultivate	<i>to make land suitable for growing crops or plants. a) to grow crops or plants, especially in large quantities.</i>
germination	<i>the sprouting of a seed.</i>
growing season	<i>the number of days between the average date of the last killing frost in spring and the first killing frost in fall.</i>
hedge	<i>a line of bushes or small trees growing close together around a garden or field.</i>
lawnmower	<i>a machine used for cutting grass.</i>
mulch	<i>decaying leaves or other plant material used for protecting the roots of plants and improving the soil.</i>
organic gardening	<i>gardening without the use of chemical or synthetic fertilizers and pesticides.</i>
ornamental	<i>a plant that is grown strictly for its foliage or flower.</i>
perennial	<i>a plant that grows back every year.</i>

propagation	<i>starting new plants by various methods such as from seeds or from cuttings taken from mature plants.</i>
spade	<i>a tool used for digging that consists of a handle and a flat metal part that you push into the earth with your foot.</i>

Environmental Protection Glossary

breed	<i>a particular type of animal that is different from others but not so different that it is another species.</i>
captivity	<i>a situation in which wild animals are kept in a place such as a park or zoo instead of being allowed to live in their natural environment.</i>
conservation	1) <i>the management of land and water in ways that prevent it from being damaged or destroyed; 2) <i>the careful use of energy, water, and other resources, so that they are not wasted or lost.</i></i>
deforestation	<i>the process of removing the trees from an area of land.</i>
eco-friendly	<i>designed to cause as little harm as possible to the environment.</i>
environmentally friendly	<i>designed not to harm the natural environment.</i>
extinction	<i>the situation when an animal, plant, or language no longer exists.</i>
habitat	<i>the type of place that an animal normally lives in or a plant normally grows in.</i>
meadow	<i>a field where grass and wild flowers grow.</i>
nest	<i>a structure that birds make to keep their eggs and babies in. nest v.</i>
recycling	<i>the process of treating waste materials such as newspapers and bottles so that they can be used again.</i>
reserve	Br E <i>an area of land where wild animals or plants are officially protected.</i>
species	<i>a plant or animal group whose members all have similar general features and are able to produce young plants or animals together.</i>
wildlife	<i>animals, birds, and plants that live in natural conditions.</i>

7.1. a) Match the words in the left-hand column with those in the right to make terminological word-groups.

acid	waste
carbon	species
global	changes
greenhouse	effect
toxic	emissions
shrinking	warming
endangered	habitat
climatic	rain

b) Make up your own sentences with the word-groups.

7.2. Complete the sentences with a single word in each space.

1. This rare bird is in danger of losing its natural _____ .
2. The species is on the verge of _____ .
3. Over 130 _____ of birds have been recorded in this National Park.
4. We can protect certain animals and birds by creating _____.
5. If _____ continues, there will be no forest left in twenty years.

7.3. Translate the sentences into Russian. Underline terminological units and pay special attention to their translation.

1. Emissions-control devices have made a major contribution to cleaner air, but their effectiveness depends on their working properly.
2. Perturbations of the carbon cycle arise from virtually all aspects of human economic behavior, from subsistence farming to manufacturing to use of fossil fuels to supply energy.
3. Carbon dioxide resulting from the combustion of fossil fuel in power plants is captured and then sequestered for centuries in the ocean, in deep aquifers, in geologic formations, or in other reasonably long-term sinks.

Communication Activities:

1. How can we protect wildlife? What could you personally do to protect the local environment?
2. What do you think the world will be like in 50 years if we do not change our ways?

Recommended Terminological Dictionaries:

1. Англо-русский, русско-английский экологический словарь-справочник: Ок. 10000 слов. единиц / Ассоц. Сикемп и Ин-т моря в заливе Ньюфаунд (Флорида, США); Центр деят. Эколог. Образования и Новый культур. и экон. опыт (Москва, Россия); Сост.: А.Ю.Зубков и др. – М.: Издат. Дом «Муравей-Гайд», 2000. – 352 с.
2. Англо-русский экологический словарь: Ок. 35000 терминов = English-Russian Ecological Dictionary / Г.Н.Акжигитов, И.И.Мазур, Г.Я.Маттис и др.; Под общ. рук. Г.Н.Акжигитова. – 2-е изд., стер. – М.: Рус. Яз., 2001. – 603 с.
3. Гольдберг А.С. Англо-русский словарь по энергетике и защите окружающей среды: Ок. 40000 терминов и 5000 сокр. – М.: РУССО, 2001. – 768 с.
4. Коваленко Е.Г. Англо-русский экологический словарь: Ок. 32000 терминов = English-Russian Ecological Dictionary. – М.: ЭТС, 2000. – 781 с.

Unit 8

Science and Technology

Glossary

appliance	<i>a machine or piece of equipment that you have in your home, for example a washing machine or refrigerator.</i>
artificial intelligence	<i>the use of computer technology to make computers and other machines think and do things in the way that people can.</i>
astrophysics	<i>the scientific study of the physical and chemical structure of the stars, planets, and other objects of the universe.</i>
automation	<i>a system that uses machines to do work instead of people, or the process of changing to such a system.</i>
biotechnology	<i>the use of bacteria and plant and animal cells for industrial or scientific purposes.</i>
cryogenics	<i>the science that studies the effects of low temperatures, especially the use of low temperatures for preserving the bodies of dead people.</i>
cybernetics	<i>the use of technology to make copies of natural things, for example artificial body parts.</i>
digital television	<i>a system of television broadcasting that uses electronic signals.</i>
e-commerce	<i>buying and selling goods on the Internet.</i>
ergonomics	<i>the study of the way furniture, equipment, etc. can be designed so that it is easy and comfortable to use and produces the most benefits to the user.</i>
gadget	<i>a small tool or piece of equipment that does something</i>

gene therapy	<i>useful or impressive. a medical treatment in which genes are put into cells in the body in order to cure some types of illness.</i>
genetic engineering	<i>the practice or science of changing the genes of a living thing, especially in order to make it suitable for a particular purpose.</i>
geopolitics	<i>the study of how a country's position, economy, and population influence its politics, especially in relation to other countries.</i>
installation	<i>1) the process of putting a new system or piece of equipment in its place and making it ready for use; 2) a system or piece of equipment that has been installed somewhere.</i>
maintenance	<i>work that is done to keep a building, machine, or piece of equipment repaired and in good condition.</i>
nanotechnology	<i>the skill of building very small machines by using computer technology.</i>
overhaul	<i>a thorough repair to a machine a) a complete change to a system that is intended to make it work more effectively.</i>
satellite	<i>an object that is sent into space to travel round the Earth in order to receive and send information.</i>

8.1. The column A includes terms denoting branches of industry. The column B includes terms denoting products. Find the matches.

A	B
1. chemical industry	a. petrol
2. automobile industry	b. smart buildings
3. construction industry	c. automatic transmission
4. pharmaceutical industry	d. operating system
5. textile industry	e. alkali
6. film industry	f. synthetic fabric
7. software industry	g. documentary
8. oil industry	h. medication

8.2. a) Match the words in the left-hand column with those in the right to make terminological word-groups.

satellite	energy
molecular	travel
information	graphics
solar	television
computer	technology
word	modification
interplanetary	biology
genetic	processor

b) Make up your own sentences with the word-groups.

8.3. Expand the abbreviations given below and translate them into Russian:

VHF, GPS, AI, PDA, ISP, GM.

8.4. Match the expressions in the left-hand column with opposite expressions in the right.

privatisation	service industry
manufacturing industry	low-technology
heavy industry	light industry
high-technology	nationalisation or state ownership

Communication Activities:

1. Think of a 'smart' device that you would find useful in our everyday lives. Describe what it would look like and what it would do.
2. Have people become dependent on technology? Express your ideas in 5-6 sentences.

Recommended Terminological Dictionaries:

1. Англо-русский политехнический словарь / Сост. Ю.Г.Синдеев. - Ростов н/Д: Феникс, 2002. - 831 с.
2. Англо-русский словарь компьютерных и Интернет-терминов = English-Russian Computer & Internet Dictionary / Гл. ред. Й.Хедт. - М.: Moscow International Publishers, 2000. - 409 с.

3. Англо-русский словарь по вычислительной технике: Компьютеры, мультимедиа, сети, Интернет, телекоммуникации, Windows: свыше 28000 терминов / Под ред. М.Л.Гуткина. – М.: ЭТС, 2004. – 490, [1] с.

4. Ваулина Е.Ю., Рычков В.Н. Термины современной информатики: программирование, вычислительная техника, Интернет: англо-русский, русско-английский словарь: более 6000 слов, устойчивых словосочетаний и сокращений. – М.: Эксмо, 2007. – 636, [1] с.

5. Воскобойников Б.С. Современный англо-русский словарь по машиностроению и автоматизации производства = Modern English-Russian Dictionary of Mechanical Engineering and Industrial Automation: ок. 15000 терминов. – М.: РУССО, 2003. – 307 с.

6. Лугинский Я.Н., Фези-Жилинская М.С., Кабиров Ю.С. Англо-русский словарь по электротехнике и электроэнергетике = English-Russian Dictionary of Electrical and Power Engineering: с указ. рус. терминов: ок 45000 терминов. – 4-е изд., испр. – М.: РУССО, 2003. – 611, [1] с.

7. Масловский Е.К. Англо-русский словарь по вычислительным системам и информационным технологиям: ок. 55000 терминов. – М.: РУССО, 2003. – 812 с.

8. Новый англо-русский словарь-справочник пользователя ПК-персонального компьютера / Сост.: О.Н.Знак, А.Г.Калашник. – 3-е изд. – Ульяновск: Стрежень: Лерокс, 2001. – 382 с.

9. Русско-английский политехнический словарь: Ок. 90000 терминов / Кузнецов Б.В., Перлов Н.И., Янковский Г.Н. и др.; Под ред. Б.В.Кузнецова. – 7-е изд., стер. – М.: РУССО, 2001. – 723 с.

10. Сайфуллин Р.С., Сайфуллин А.Р. Универсальный лексикон: химия, физика и технология (на русском и английском языках) = Universal Concise Dictionary: Chemistry, Physics and Technology (English and Russian): Справ. – М.: Логос, 2002. – 447 с.

11. Современный англо-русский политехнический словарь = Modern English-Russian Polytechnical Dictionary: 125000 слов / [сост. В.В.Бутник]. – М.: Вече, 2006. – 512 с.

Unit 9

Building Construction and Architecture

Glossary

arch

a curved structure at the top of a door, window, or gate; a) a structure with a curved top and two straight sides that you can walk through; b) a curved structure, especially one that supports a building or a bridge.

attic

the room in a house under the roof.

basement

the part of a building that is partly or completely below the level of the ground.

beam	<i>a long thick piece of wood, metal, or concrete that supports a roof.</i>
brickwork	<i>the bricks in a wall or building, or the pattern that they form.</i>
canopy	<i>a curved roof over part of a building.</i>
construction site	<i>a place where a building is being built or repaired.</i>
carving	<i>an object, pattern or piece of writing made by cutting stone or wood.</i>
chisel	<i>a tool with a flat metal blade used for cutting wood or stone.</i>
foundation	<i>the part of a structure of a building that is below the ground and supports the rest of it.</i>
frieze	<i>a line of decoration around the walls of a room or building.</i>
framework	<i>a structure that supports something and makes it a particular shape.</i>
girder	<i>a very large metal bar used for making the frame of a building, bridge, or other large structure.</i>
joist	<i>a long piece of wood or metal put below a floor or ceiling to support it.</i>
mortar	<i>a substance used in building for joining bricks or stones, made by mixing together sand, water, and lime.</i>
moulding	<i>a small decorated area of stone or wood at the edge of a wall or around a door, picture frame, etc.</i>
mural	<i>a large painting done on a wall.</i>
partition	<i>a wall, screen, or piece of glass used to separate one area from another in a room or vehicle.</i>
pediment	<i>a decoration shaped like a triangle built over the top of a door, window, etc.</i>
plaster	<i>a substance that is spread onto walls and ceilings to form a hard smooth surface.</i>
reinforced concrete	<i>concrete with metal bars inside it to make it stronger.</i>
scaffold	<i>a structure consisting of poles and boards on the outside of a building, that people stand on when they are working on the building.</i>
slab	<i>a large flat piece of a hard material such as stone or wood.</i>
stucco	<i>a substance used for covering walls, usually on the outside of a building, to give them a rough surface.</i>

prefabricated	adj a prefabricated building is built in sections that can be moved and put together quickly.
	prefabricate v.
transom	a bar of wood or stone across a window that divides the window into two parts; a) a bar of wood or stone across the top of a door that separates the door from the window above it.
trowel	a small tool with a flat blade used for spreading substances such as cement or plaster onto bricks and walls.
vault	a curved structure that supports or forms a roof, especially in a church.
window-frame	the frame around the edge of a window.

9.1. Match the words in the left-hand column with those in the right to make terminological word-groups. Find their Russian equivalents.

external	joist
crane	concrete
construction	wall
floor	unit
supporting	work
prefabricated	finishes
assembly	method
reinforced	architecture
urban	operator

b) Make up your own sentences with the word-groups.

9.2. Translate the phrases and use them to describe the building process of a block of flats.

to draw the plans, to define the size, to dig an excavation, to carry out foundation, to carry the weight, to deliver to the site, to pick up the units, to assemble by crane, to level the site, to put in position.

9.3. Translate the sentences into Russian. Underline terminological units and pay special attention to their translation.

1. MotorLink is a digital data communication technology which provides improved control and functionality where automated windows and natural ventilation are part of a building management system (BMS).
2. Fibre cement is a modern building material that can enable building designers to replicate a style that reflects the traditional building style of the local area or, if they wish, to make a break from the past with engaging colours and finishes.
3. A fluorescent glass light box extends this light-wall effect around the lower parking level of the office atrium (where most occupants enter), doubling as a radiant path to and from the plaza.

Communication Activities:

1. Describe the house of your dream (its size, design, decoration, etc.).
2. Prepare a report about one of the architectural styles. Speak about its history, characteristics, and famous buildings. You are welcome to present illustrations.
3. Prepare a report about one of the famous buildings of the world or some place of interest of your city/town. Speak about its history, designers and architects, and architectural features. You are welcome to present illustrations.

Recommended Terminological Dictionaries:

1. Бурлак А.И., Бурлак Д.Г., Мазуренко Л.В. Англо-русский словарь строительных терминов. – К.: Вища школа, 1992 – 230 с.
2. Долинская И.М. Англо-русский архитектурный словарь = English-Russian Architectural Dictionary: (20000 слов). – М.: Жираф, 2000. – 302 с.

Unit 10
Cars

Glossary

- accelerator** *the pedal that you press with your foot to make a vehicle go faster.*
- bonnet** *Br E the front part of a car that covers the engine. Am E hood.*

boot	Br E <i>the covered space at the back of a car, used for carrying things in.</i> Am E trunk.
brake	[usually plural] <i>the equipment in a car, bicycle, or other vehicle that you see for slowing down or stopping.</i>
bumper	<i>a long thin bar of metal or plastic fixed to the front or back of a vehicle, designed to protect it if it hits anything.</i>
clutch	<i>a piece of equipment in a vehicle that you press with your foot when you change gear.</i>
dashboard	<i>the part inside a car where the speedometer and other instruments are.</i>
engine	<i>a machine with moving parts that uses a fuel to produce movement, for example in a road vehicle or aircraft.</i>
estate	Br E <i>a long car with an extra door at the back and a lot of space behind the back seats.</i>
fog light	Br E <i>a bright light on a car that helps drivers to see the fog.</i> SYN fog lamp.
gear stick	Br E <i>the short metal lever in a car that a driver uses to change the gears.</i> SYN gear lever.
hatchback	<i>a type of car that has an extra door on the back that opens from the bottom instead of the side.</i>
headlight	<i>one of the two lights on the front of the vehicle, used for driving at night.</i>
horn	<i>the object in a car or other vehicle that makes a loud warning noise when you press it.</i>
hubcap	<i>a metal cover for the central part of a wheel on a car.</i>
ignition	<i>the place where you put in the key to make a car engine's start; a. the part of a car's engine that makes the fuel start to burn so that the car can start.</i>
jack	<i>a piece of equipment used for lifting and supporting a heavy object, for example a car when you are changing a tyre.</i>
mudflap	<i>a piece of rubber that hangs behind a wheel of a vehicle and stops dirt from the road from hitting the vehicle.</i>
radiator	<i>the part of an engine that keeps it from getting too hot.</i>
roof rack	Br E <i>a metal frame fixed on the roof of a car, used for carrying large objects, bicycles etc.</i> Am E luggage rack.
seat belt	<i>a strong belt in a car or plane that you fasten around yourself to hold you in your seat.</i> SYN safety belt.
sidelight	Br E <i>one of the two small lights next to the main front lights on a car.</i>
silencer	Br E <i>an object that reduces the noise from a vehicle's engine.</i> Am E muffler.

speedometer	<i>the piece of equipment in a vehicle that shows how fast it is going.</i>
tail light	<i>one of the red lights on either side of the back of a vehicle.</i>
tyre	<i>a thick rubber cover that fits round the wheel of a bicycle, car, or other vehicle.</i>
wheel	<i>a round object that turns round and round to make a car, bicycle, or other vehicle move.</i>
windscreen	Br E <i>the large glass window at the front of a vehicle.</i> Am E windshield.
wing	Br E <i>the part of a car that covers the wheel.</i> Am E usually fender.

10.1. Match the words in the left-hand column with those in the right to make terminological word-groups. Find their Russian equivalents.

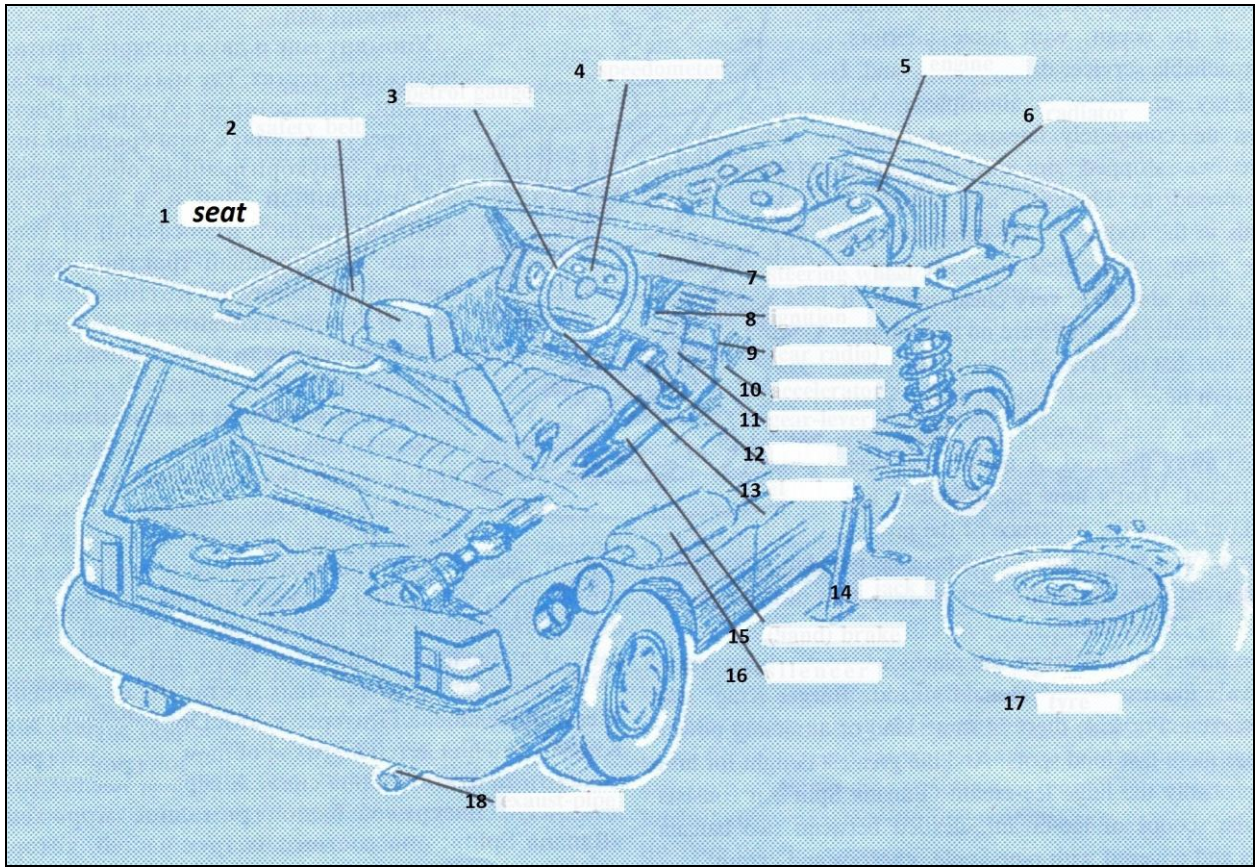
exhaust	gauge
door	seat
petrol	radio
temperature	wheel
rear-view	light
hand	plate
seat	wiper
passenger	cap
steering	brake
reversing	handle
number	belt
windscreen	pipe
car	mirror

b) Make up your own sentences with the word-groups.

10.2. Find the synonyms of the following terms:

safety belt, bonnet, trunk, roof rack, gear lever, windscreen, fender, muffler, fog lamp.

10.3. Label the car in the picture below choosing words from the **Glossary** and **Exercise 10.1**.



10.4. Choose one of the terms from the **Glossary** and **Exercise 10.1**. to complete each of these sentences.

1. Let's put the suitcases into the _____.
2. Please, fasten your _____.
3. When you want to go fast you press the _____.
4. Drivers use the _____ when it rains.
5. The _____ are at the front and the _____ are at the back.
6. I _____ so suddenly because a man was crossing the road in front of the car.
7. It is necessary to check the pressure of the _____ regularly.

Communication Activities:

1. Prepare a report about the history of land transport.

2. Express your ideas about the transport of the future (how long it will take people to get somewhere, how many passengers it will seat, the main construction materials, etc.).

Recommended Terminological Dictionaries:

1. Большой англо-русский автомобильный словарь: Ок. 50000 терминов = English-Russian Automotive Dictionary / Сост. В.Р. Лесов. – СПб.: Б.С.К., 1998. – 830 с.
2. Тверитнев М.В. Англо-русский и русско-английский автомобильный словарь = English-Russian and Russian-English Automobile Dictionary: ок. 28000 терминов / М.В.Тверитнев. – 5-е изд., перераб. с доп. – М.: РУССО, 2005. – 564 [2] с.

Appendix

Sample English-Russian Glossary of Economic Terms

- 1) **account** 1. счёт (*бухгалтерского учёта*) || записывать на счёт; 2. (финансовый) отчёт; доклад, сообщение; 3. оценка; отзыв; 4. счётная формула, журнальная статья (*в бухгалтерском учёте*); 5. регистр; 6. *англ.* отчёт об исполнении государственного бюджета; 7. *pl* отчётность || отвечать, нести ответственность; 8. *pl* деловые книги; торговые книги; 9. *англ.* расчёт по биржевым сделкам; 10. запись финансовой операции; 11. *англ.* счёт, поддерживаемый в банке или строительном обществе (*на котором хранятся деньги вкладчика*); 12. операционный период на Лондонской фондовой бирже; 13. *рекл.* рекламодатель (*клиент рекламного агентства или организация, непосредственно размещающая рекламные материалы в средствах массовой информации*); 14. клиент поставщика или торговца (*напр. покупатель полиграфических или художественных материалов, необходимых для изготовления рекламы*); 15. *юр.* иск с требованием отчётности; 16. документ, свидетельствующий о задолженности одного лица перед другим: счёт-фактура.
- 2) **accountancy** 1. бухгалтерское дело; 2. (бухгалтерский) учёт; 3. бухгалтерия.
- 3) **accountant** 1. квалифицированный бухгалтер; бухгалтер с управленческими функциями; 2. бухгалтер-ревизор, контролёр, аудитор; 3. эксперт по анализу балансов и финансовой отчётности.
- 4) **acquisition** 1. покупка; 2. овладение; 3. приобретение (*напр. акций*); 4. поглощение (*компании*); 5. вступление во владение; 6. сбор данных.
- 5) **allotment** 1. пособие; 2. выделение (*напр. средств или акций пайщику*); распределение; 3. доля, часть, количество (*напр. фондируемых материалов*); 4. участок земли, сдаваемый в аренду; 5. ассигнования из бюджета; 6. передача фьючерсного контракта биржевым брокером третьему лицу; 7. распределение ценных бумаг в полном или частичном объёме заявок.
- 6) **balance sheet** (бухгалтерский) баланс, балансовый счёт.
- 7) **bankroll** 1. денежные средства; капитал; состояние; 2. финансовые ресурсы; финансовые средства; 3. субсидировать, финансировать.

- 8) **bankrupt** 1. банкрот (*физическое лицо, корпорация или иное юридическое лицо*), несостоятельный должник || доводить до банкротства; 2. неплатёжеспособный.
- 9) **bargain** 1. торговая [биржевая] сделка; договор о покупке; договорённость || вести переговоры, договариваться; заключить сделку; 2. выгодная покупка || торговаться; 3. *pl* товары по сниженным ценам; 4. ситуация временного снижения цен, выгодная для приобретения товара; 5. небольшой земельный участок.
- 10) **benefit** 1. прибыль; выгода || приносить прибыль [пользу]; получать выгоду; 2. полезность, благо; 3. благодеяние; 4. пенсия; пособие (*напр. страховое*); 5. *попутная* [побочная] выгода; 6. *pl* льготы, услуги; привилегии (*напр. в налогообложении*); 7. *pl* суммарные выгоды, общий полезный результат, экономический эффект; 8. оказывать благоприятное воздействие.
- 11) **bookkeeper** счётный работник, счетовод; бухгалтер (*лицо, занимающееся ведением отчётности в главной бухгалтерской книге предприятия*).
- 12) **broker** 1. брокер, маклер, посредник (*напр. в операциях с ценными бумагами*), (торговый) агент (*фирма или лицо по купле-продаже ценных бумаг или товаров на бирже*); 2. лицо, производящее продажу описанного имущества; 3. оценщик описанного имущества.
- 13) **budget** 1. (государственный) бюджет, финансовая смета || предусматривать в бюджете, ассигновать; 2. план координации (ресурсов); 3. запас, уровень; 4. смета (*напр. расходов предприятия на программу*) || составлять смету; бюджетировать; планировать.
- 14) **bust** 1. срыв, падение, спад (*напр. экономической активности*); 2. крах; банкротство || обанкротиться.
- 15) **buy** 1. покупка || покупать; приобретать; 2. *амер. разг.* покупаемый с прибылью товар; 3. давать взятку; подкупать.
- 16) **capital** 1. (акционерный) капитал; основной капитал; фонды; 2. преимущество; выгода; 3. основная сумма; 4. капитальный, основной, главный; самый важный.
- 17) **cartel** картель (*объединение независимых компаний с целью регулирования цен и условий сбыта товаров или услуг*).
- 18) **cash** 1. наличные деньги; кассовая наличность; монеты и бумажные деньги (иногда деньги и векселя, по которым наступил срок платежа) || получать наличные (по денежному документу); превращать в наличные || наличный; кассовый; 2. статья баланса, отражающая наличность; 3. продать, реализовать; 4. наличная сделка; наличный расчёт || за наличные.

- 19) **cash limit** 1. предельный размер кредита; 2. максимальная однократная сумма выдачи наличных в банкомате.
- 20) **charity** 1. благотворительность; филантропия; 2. благотворительное общество; 3. *pl* благотворительная деятельность.
- 21) **consumer** 1. потребитель; покупатель; 2. клиент; заказчик; 3. абонент.
- 22) **consumption** 1. потребление, расход; 2. расход, затрата (*напр. энергии*).
- 23) **convertibility** 1. обратимость [конвертируемость] валюты (*степень свободного обмена одной валюты на другую*); 2. свободный обмен валюты.
- 24) **corporation** 1. муниципалитет; 2. объединение, корпорация; 3. *амер.* акционерная компания; акционерное общество; 4. юридическое лицо.
- 25) **cost** *обычно pl* расходы, издержки, затраты; 2. цена, стоимость, себестоимость || *стоить*; назначить цену, расценивать товар; 3. *pl* судебные издержки, судебные расходы.
- 26) **creditor** 1. кредитор, заимодавец; 2. магазин, торгующий в кредит; фирма, предоставляющая коммерческий кредит; 3. правая сторона бухгалтерской книги.
- 27) **currency** 1. (денежное) обращение; средство обращения [обмена]; 2. деньги (*обычно наличные деньги, монеты, банкноты*); валюта; 3. продолжительность; 4. срок действия.
- 28) **customer** 1. покупатель; заказчик; клиент; 2. покупательская задолженность (*статья баланса*).
- 29) **dealer** 1. (розничный) торговец, торговый агент; посредник (*между потребителем и производителем*); 2. дилер; биржевой торговец (*закрывающий сделки за собственный счёт*).
- 30) **debt** 1. долг, задолженность; обязательство; долговой инструмент; 2. кредит, заём.
- 31) **default** невыполнение обязательств; неисполнение договора; неуплата || *не выполнять обязательства; прекращать платежи [выплату дивидендов]*.
- 32) **demand** 1. спрос; 2. потребность; нужда || *нуждаться, просить*; 3. требование запрос; заявка; иск || *предъявлять требование; предъявлять официальную претензию (на недвижимое имущество)*; 4. законное притязание; 5. вызывать в суд.
- 33) **deposit** 1. вклад (в банке); депозит; депонирование; взнос; задаток; залог; ручательство || *депонировать, положить на хранение; вносить деньги в банк; дать задаток; делать взнос; предоставлять*

обеспечение; 2. превышение своего кредита в банке; 3. хранилище; склад.

34) **discount** 1. скидка (с цены товара); 2. дисконт; учёт векселей || дисконтировать; учитывать; ссужать под векселя при условии выплаты процентов вперёд; снижать учётный процент при досрочной оплате векселя; 3. зачёт требований; 4. процент скидки, ставка учёта; 5. компенсация за ожидание (при приобретении будущих услуг); 6. *pl* сумма учётных операций (на балансе).

35) **enterprise** 1. предприятие; завод; фабрика; фирма, компания; 2. хозяйство; ферма; 3. предпринимательство; 4. отрасль (*вид хозяйства*).

36) **exchange** 1. обмен || обменивать; *pl* товарообмен, бартер; 2. биржа; 3. размен денег || обменивать, разменивать деньги; 4. иностранная валюта; девизы || валютный; 5. курс (иностранной валюты); 6. расчёты посредством девиз; операции с иностранной валютой; 7. расчётная палата; *pl* инкассируемые через расчётную палату кредитные документы.

37) **expense** 1. счёт; цена; расход; трата; статья расхода || относить за счёт; предъявлять счёт; списывать в расход; 2. *pl* расходы, издержки, затраты.

38) **fee** 1. вознаграждение; гонорар; взнос; пошлина; (денежный) сбор (*напр. таможенный*), комиссия, комиссионный сбор, плата за услуги || платить гонорар; 2. *юр.* право наследования без ограничений; 3. *юр.* абсолютное право собственности.

39) **finance** 1. финансовое дело, денежные отношения; финансирование; финансы (*практика обращения с деньгами и управления ими*) || финансировать; вести финансовые операции; 2. *pl* деньги; финансы (*капитал, участвующий в каком-либо проекте*); доходы; средства.

40) **firm** 1. фирма; компания; торговая фирма; торговый дом; 2. деловое партнёрство; 3. твёрдый; устойчивый (*о ценах*); постоянный.

41) **foreign trade** внешняя торговля.

42) **fraud** 1. мошенник; 2. обман, мошенничество; 3. фальшивка; подделка; подлог.

43) **fund** 1. запас; резерв; фонд (*напр. стабилизационный фонд или фонд валютного регулирования*); 2. *pl* фонды; средства; капитал; *англ.* государственные ценные бумаги; *амер.* ценные бумаги (*напр. корпораций*); 3. консолидировать; помещать деньги в государственные ценные бумаги.

44) **furnisher** поставщик.

45) **gage** 1. залог, заклад || отдавать в залог; 2. ручательство || ручаться.

46) **gain** 1. *pl* прибыль (*напр. полученная в результате повышения цены финансового инструмента*); доходы; заработок; 2. выигрывать; зарабатывать; извлекать прибыль [выгоду, пользу]; 3. получать, приобретать, увеличивать; добиваться; достигать; 4. прирост, увеличение (*напр. численности рабочих*); 5. повышение валютного курса; повышение цены финансового инструмента; 6. выигрыш; функция выигрыша.

47) **income** доход(ы); приход; заработок; прибыль; поступления; *бухг.* валовая выручка (за отчетный период) || приобретаемый ради дохода, приносящий доход (*об облигациях, фондах*).

48) **insurance** 1. страхование; сумма страхования; 2. страховой платёж; страховая премия; 3. страховой полис; 4. *pl* акции, выпущенные страховыми обществами.

49) **interest** 1. интерес; значение; 2. (материальная) заинтересованность; доля; участие (в капитале) || заинтересовывать; привлекать к участию; 3. (ссудный) процент; проценты (на капитал), процентный доход; 4. польза; выгода, преимущество; 5. имущественное право; 6. *pl* заинтересованные лица; деловые круги; 7. интерес (*объект страхования*).

50) **investment** 1. инвестирование; помещение капитала; 2. иногда *pl* инвестиции, капитальные вложения, капиталовложения; 3. капитальные затраты; совокупность затрат; 4. вложения в ценные бумаги.

51) **loan** заём, ссуда; кредит || давать займы, ссужать.

52) **long-term contract** долгосрочный контракт.

53) **loss** потеря, потери; гибель; 2. убыток; утрата; ущерб; урон. 3. страховой случай.

54) **manufacturer** 1. (фирма-)изготовитель; производитель; поставщик; 2. фабрикант; промышленность; 3. фирма [компания] обрабатывающей промышленности.

55) **manufacturing** 1. производство; изготовление; обработка || промышленный; производственный; 2. обрабатывающая промышленность.

56) **market** 1. рынок (как экономическая категория) || находить рынок сбыта || рыночный; 2. биржа; 3. состояние конъюнктуры; 4. городской рынок; 5. торговля || торговать; сбывать [продавать, реализовать] на рынке; 6. *амер.* специализированный продовольственный магазин.

- 57) **marketing** 1. реализация; сбыт; система сбыта; торговля; 2. маркетинг (*организация сбыта*) как научная дисциплина.
- 58) **merchant** (оптовый) торговец, купец; получатель платежа || коммерческий, торговый.
- 59) **middleman** 1. комиссионер; посредник (между производителем и потребителем); 2. крупный арендатор, сдающий небольшие участки мелким арендаторам; 3. сторонник средней линии, сторонник умеренных действий.
- 60) **monetary** 1. монетарный, денежный, кредитно-денежный; 2. валютный.
- 61) **money-lender** 1. кредитор, ссудодатель; 2. ростовщик.
- 62) **offering** 1. предложение; 2. *pl* ценные бумаги, предлагаемые к продаже.
- 63) **payment** 1. вознаграждение; платёж; оплата (*напр. векселя*); погашение долга; получение денег (*для кредитора*).
- 64) **pecuniary** 1. денежный, финансовый; 2. облагаемый денежным штрафом.
- 65) **penalty** 1. штраф; неустойка (*по договору*); 2. *юр.* наказание; карательная мера [санкция].
- 66) **perks** надбавки; прибавки; дополнительные льготы.
- 67) **pinch** *бирж.* внезапное повышение курсов *или* цен.
- 68) **prepayment** 1. авансирование; выплата авансом, предварительная оплата; франкирование; 2. предоплата; аванс; 3. досрочная выплата.
- 69) **price system** ценовая система; система цен.
- 70) **price tag** 1. ярлык с указанием цены, ценник; 2. фиксация [установление] цены.
- 71) **profit** 1. прибыль; доход || получать прибыль; 2. польза; выгода || пользоваться; извлекать пользу; приносить пользу; быть полезным.
- 72) **promotion** 1. содействие; поощрение; стимулирование; 2. основание, учреждение (*напр. фирмы*); 3. продвижение по службе; 4. содействие в продаже товара; меры по увеличению сбыта; рекламно-пропагандистская деятельность; 5. предоставление преференций; преференции, протекционистские мероприятия.
- 73) **property** 1. собственность, имущество; земельная собственность; имение; 2. *юр.* право собственности; объект права собственности; 3. свойство; качество; характерная особенность; 4. *трансп.* перевозимый груз.

- 74) **proprietorship** 1. право собственности; собственность; 2. земельная собственность; 3. коммерческое предприятие, принадлежащее одному лицу.
- 75) **provision** 1. снабжение, обеспечение || снабжать, обеспечивать; 2. положение, условие (договора), оговорка; 3. заготовка; резерв; 4. резервный фонд; 5. *pl* продовольственные товары, пищевые продукты; 6. мера предосторожности.
- 76) **purchase** 1. покупка, закупка, купля || покупать, закупать; приобретать; 2. купленная вещь, покупка; 3. стоимость; ценность; 4. годовой подход (*с земли*); 5. выгодное положение, преимущество.
- 77) **raider** 1. налётчик; 2. бирж. скупщик акций (*с целью приобретения контроля над компанией*).
- 78) **receding price** 1. снижающаяся цена; 2. снижающийся курс ценных бумаг.
- 79) **rent** 1. рента; арендная плата; квартирная плата || облагать арендной платой; сдавать в аренду; брать в аренду, арендовать; снимать; 2. наём, прокат; плата за прокат || отдавать на прокат; 3. доход с недвижимости; 4. *pl* многоквартирные доходные дома.
- 80) **retailer** 1. розничный торговец; 2. предприятие розничной торговли; 3. инвестиционный институт, реализующий ценные бумаги среди индивидуальных покупателей.
- 81) **sale** 1. часто *pl* продажа; сбыт; реализация; 2. торговля; торговая сделка; 3. распродажа (*по сниженным ценам*); 4. продажа с торгов; продажа с аукциона; 5. *pl* объём продаж [сбыта]; товарооборот.
- 82) **saving** 1. экономия; сбережение || экономный; сберегающий; 2. часто *pl* сбережения; накопление (как процесс образования сбережений).
- 83) **seller** 1. продавец; торговец; 2. производящая отрасль (*напр. в форме межотраслевого баланса*); 3. ходовой товар.
- 84) **share** 1. доля, часть; участие; доля участия; доля собственности; пай || делить(ся); разделять; участвовать; быть пайщиком; иметь долю; 2. *англ.* акция; 3. *pl* акционерный капитал.
- 85) **shareholder** акционер, владелец акций; пайщик; держатель акций.
- 86) **sponsor for a loan** гарант займа.
- 87) **stock exchange** фондовая биржа.
- 88) **tax** 1. налог; сбор; пошлина; подать; 2. обложение || облагать налогом *или* пошлиной; 3. *амер. разг.* размер счёта; 4. членские взносы || взимать членские взносы; 5. *амер. разг.* назначать или спрашивать цену.

- 89) **taxation** налогообложение, взимание налогов.
- 90) **tenancy** 1. владение (*напр. недвижимостью*); 2. аренда; владение на правах аренды; владение на правах имущественного найма; 3. арендованное имущество.
- 91) **tenant** 1. владелец; 2. наниматель, съёмщик, арендатор || нанимать; арендовать; владеть на правах аренды; 3. житель.
- 92) **tender** 1. предложение (*письменное*); предложение, заявка (*на торгах*); оферта || предлагать, делать предложение; подавать заявку (*на торгах*); 2. смета подрядчика на торгах; 3. заявка на подряд; 4. заявление о подписке на ценные бумаги || подавать заявление о подписке на ценные бумаги; 5. торги; аукцион; 6. сумма, вносимая в уплату долга || вносить деньги в счёт долга; 7. предлагать сдачу (*товара*); предлагать (*в уплату*); предлагать исполнение (*договора*); представлять (*документы*).
- 93) **trade** 1. торговля; коммерция || торговать; 2. отрасль торговли; отрасль производства; отрасль промышленности; группа производителей, конкурирующих между собой на одном рынке; промышленность; 3. торговцы; розничные торговцы; торговые круги; 4. розничная торговля; 5. предприниматели; 6. профессия; ремесло; занятие; 7. клиентура, покупатели || быть постоянным покупателем магазина; 8. соглашение, сделка; обмен; бартер || менять, обменивать(ся); 9. операция с ценными бумагами; 10. *мор.* рейс || совершать рейс (*о грузовых судах*).
- 94) **trader** 1. торговец; 2. биржевой брокер [маклер]; спекулянт; 3. торговое судно; 4. член биржи, непосредственно участвующий в торге за свой счёт.
- 95) **transaction** 1. ведение (дел); 2. дело, сделка, операция; 3. *pl* труды, протоколы (научного учреждения или общества); 4. мировая сделка; урегулирование спора путём компромисса.
- 96) **trust** 1. вера; доверие; ответственность; 2. траст, доверительный фонд; доверительная собственность; опека; имущество, вверенное попечению; доверительные имущественные отношения; управление собственностью по доверенности || доверять, поручать попечению || доверенный; управляемый по доверенности; 3. концерн; трест; промышленное объединение; 4. кредит || давать в кредит.
- 97) **value** 1. ценность (*в экономическом и этическом смысле*) || ценить; 2. стоимость (*особ. в классической домарксистской и марксистской политэкономии*); 3. стоимость (*в хозяйственной практике*); 4. валюта; сумма векселя или тратты || выставлять вексель или тратту;

5. оценка || оценивать; производить оценку; 6. величина; значение; важность; 7. цена; 8. *часто pl* фрахтовые ставки.

98) **venture** 1. рискованное предприятие; спекуляция; коммерческое предприятие || riskовать; спекулировать; 2. товары, отправляемые за границу на риск отправителя; отправка таких товаров; 3. объект спекуляции; 4. сумма, подвергаемая риску; 5. вторжение в новую область производства; меры по организации нового производства (*связанные с риском*).

99) **voucher** 1. поручитель; письменное поручительство; 2. гарантия; 3. денежный оправдательный документ (*напр. оплаченный счёт-фактура, погашенный счёт, квитанция*), расписка; накладная; 4. контрольный талон; корешок; ваучер; 5. свидетельство; 6. ваучер, приватизационный чек (*в России и др. странах*); 7. юр. вызов поручителя [свидетеля] в суд.

100) **wholesale** 1. оптовая торговля; 2. торговать оптом, вести оптовую торговлю; 3. оптовый; 4. оптом; по оптовой цене.

Sample English-Russian Glossary of Motor Transport Terms

№	English Term	Russian Equivalent
1	accelerator	педадь газа, газ, акселератор
2	acceleration	ускорение
3	antifreeze	антифриз
4	aerial	антенна
5	bonnet	капот
6	boot	багажник
7	brake	тормоз
8	brake light	стоп-сигнал
9	brake pedal	тормозная педаль
10	breakdown lorry	ремонтная мастерская на колесах; аварийный грузовой автомобиль; автокран; автомобиль технической помощи
11	bridge	мост
12	braking	торможение
13	bumper	бампер
14	battery	аккумулятор
15	cab	кабина водителя
16	car	автомобиль
17	car radio	автомобильный радиоприемник
18	car wash	мойка автомобилей
19	caravan	фургон
20	choke	заслонка
21	clutch	сцепление
22	coach	комфортабельный автобус
23	convertible	автомобиль с откидным верхом, кабриолет
24	crankcase	картер двигателя
25	cross-road	перекресток дорог
26	dashboard	панель приборов
27	door	дверь
28	door handle	ручка двери
29	driving seat	место водителя
30	engine	двигатель
31	estate	универсал (<i>тип автомобильного кузова или автомобиль с таким кузовом</i>)
32	exhaust pipe	выхлопная труба

33	fly-over	путепровод
34	fog lamp/light	противотуманная фара
35	fuel gauge	уровень топлива
36	guardrail	ограждение
37	gear lever/stick	рычаг переключения передач
38	glove compartment	ящик для мелких вещей, бардачок
39	handbrake	ручной тормоз
40	hatchback	"хэтчбэк" (автомобиль с открывающейся вверх задней дверью); задняя часть автомобиля с открывающейся вверх дверью
41	headlight	фара (на передней части транспортного средства)
42	headrest	подголовник, опора для головы
43	highway	шоссе
44	horn	сигнал
45	hubcap	колпак, крышка (закрывающая центральную часть колеса)
46	ignition	зажигание
47	indicator	фара поворота, "поворотник"
48	injector	инжектор
49	jack	домкрат
50	jeep	джип
51	lorry	грузовик
52	mileometer	одометр (прибор для измерения пройденного автомобилем расстояния в милях)
53	motorway	автодорога
54	mudflap	брызговик
55	number plate	номерной знак
56	overpass	эстакада; переезд; переход
57	overtaking	обгон
58	passenger seat	пассажирское сиденье
59	pedestrian crossing	пешеходный переход
60	petrol cap	крышка бензобака
61	petrol gauge	бензиномер
62	petrol pump	бензоколонка
63	petrol station	заправочная станция
64	radiator	радиатор
65	radiator grill	решётка радиатора

66	rearlight	фонарь заднего хода
67	rear-view mirror	зеркало заднего вида
68	rear window	заднее стекло
69	registration number	регистрационный номер
70	reversing light	фонарь заднего хода; задняя фара
71	road marking	дорожная разметка
72	roof rack	багажник на крыше автомобиля
73	safety belt / seat belt	ремень безопасности
74	saloon	кузов типа "седан"
75	seat	сиденье
76	sidelight	габаритные огни
77	silencer	глушитель
78	spare wheel	запасное колесо
79	speedometer	спидометр
80	sports car	спортивный автомобиль
81	starting	пуск двигателя
82	steering wheel	руль
83	sunroof	люк в крыше автомобиля
84	tail light	габаритный задний фонарь
85	tanker	автоцистерна
86	temperature gauge	температурный датчик, указатель температуры
87	traffic	дорожное движение
88	traffic lights	светофор
89	traffic sign	дорожный знак
90	trailer	автоприцеп
91	truck	грузовой автомобиль, грузовик
92	tyre	шина
93	underpass	проезд под путепроводом
94	van	фургон
95	vehicle	транспортное средство
96	windscreen	ветровое стекло
97	windscreen wiper	стеклоочиститель
98	wheel	колесо
99	wing	крыло (<i>кузова автомобиля</i>)
100	wing mirror	боковое зеркало заднего вида

Sample English-Russian Glossary of Architectural and Building Construction Terms

1. **amphitheatre** *n* амфитеатр
2. **arabesque** *n* арабеска
3. **arch** *n* арка; свод
4. **assembly** *n* монтаж, сборка
5. **attic** *n* 1) мансарда; чердак; 2) (the ~s) *pl* верхний чердачный этаж; 3) *архит.* фронтон
6. **balcony** *n* балкон
7. **band** *n* пояс
8. **barrage** *n* заграждение
9. **baroque** 1. *n* (the ~) барокко; 2. *a* барочный, в стиле барокко
10. **basement** *n* 1) подвал; (полу)подвальный этаж; цокольный этаж; 2) основание, фундамент
11. **bowl** *n* 1) кубок, чаша; 2) чашеобразная часть (чего-л.); углубление
12. **brick** *n* кирпич
13. **bricklayer** *n* каменщик
14. **brickwork** *n* кирпичная кладка
15. **bridge** *n* мост
16. **canopy** *n* балдахин; полог, навес; тент
17. **canvas** *n* полотно, холст, картина
18. **carpenter** *n* плотник
19. **carving** *n* 1) резьба по дереву; 2) резная работа
20. **cathedral** 1. *n* кафедральный собор; 2. *a* соборный
21. **ceiling** *n* потолок
22. **cellar** *n* 1) подвал; погреб; 2) винный погреб
23. **cement** *n* цемент
24. **ceramics** *n pl* 1) (*употр. как sing*) керамика; гончарное производство; 2) (*употр. с гл. во мн. ч.*) керамические изделия
25. **chapel** *n* 1) часовня; церковь
26. **classicism** *n* классицизм; следование классическим образцам
27. **column** *n* колонна
28. **concrete** *n* бетон
29. **cone** *n* конус
30. **corner** *n* угол, уголок
31. **corrosion** *n* коррозия; ржавление; разъедание; окисление
32. **cottage** *n* 1) небольшой сельский дом; хижина; 2) *амер.* загородный летний домик; 3) жилой корпус (какого-л. учреждения); 4) *австрал.* одноэтажный дом

33. **courtyard** *n* внутренний двор
34. **crack** *n* трещина; щель
35. **crane** *n* (грузо)подъёмный кран
36. **cupola** *n* купол
37. **demolish** *v* разрушать, сносить (*здание*)
38. **disc** *n* диск; круг
39. **dome** *n* купол; свод
40. **electrician** *n* 1) электротехник, электрик; 2) электромонтёр
41. **elevator** *n* грузоподъёмник
42. **entrance** *n* вход (*в здание и т.п.*)
43. **exterior** *n* внешность, наружность; внешняя, наружная сторона
44. **facade** or **façade** *n* 1) фасад; 2) наружность, внешний вид
45. **fence** *n* забор, изгородь, ограда, ограждение
46. **fortress** *n* крепость
47. **foundation** *n* фундамент; основание, основа
48. **fresco** *n* фреска; фресковая живопись
49. **frieze** *n* 1) фриз; бордюр
50. **gallery** *n* галерея, портик, балкон
51. **gate** *n* ворота
52. **gilded** *a* позолоченный
53. **graffito** *n* (*pl -ti*) (*обыкн. pl*) граффити; рисунок, надпись на стенах домов и т.п.
54. **grid** *n* решётка
55. **grille** *n* решётка
56. **heating** *n* отопление
57. **iconostasis** *n* (*pl -ses*) *церк.* иконостас
58. **interior** *n* интерьер
59. **loggia** *n* литерная ложа
60. **mansion** *n* 1) большой особняк, большой дом; дворец; 2) *pl* многоквартирный дом
61. **minaret** *n* минарет
62. **mosaic** 1. *n* мозаика; 2. *a* мозаичный
63. **mosque** *n* мечеть
64. **motif** *n* 1) основная тема, главная мысль, лейтмотив
65. **moulding** *n* 1) *тех.* формовка, отливка; 2) *архит.* лепное украшение; 3) багет
66. **mural** *n* фреска
67. **niche** *n* ниша
68. **outline** *n* 1) (часто *pl*) очертание, контур; абрис; 2) набросок; эскиз; очерк; 3) схема, план; конспект

69. **passage** *n* проход, проезд, переход
70. **pediment** *n* *архит.* фронтон
71. **pile** *n* свая, столб, кол
72. **pipe** *n* труба
73. **plaster** *n* штукатурка
74. **plumbing** *n* 1) водопровод, водопроводная система; 2) водопроводное дело; 3) прокладка труб
75. **porch** *n* 1) подъезд, крыльцо; 2) портик; крытая галерея; 3) *амер.* веранда; балкон
76. **portico** *n* (*pl* -oes, -os) портик, галерея
77. **premise** *n, pl* помещение, дом (*с прилегающими пристройками и участком*); владение
78. **reinforce** *v* 1) усиливать; подкреплять; укреплять; 2) *стр.* армировать (*бетон*)
79. **renaissance** *n* 1) (the R.) эпоха Возрождения, Ренессанс; 2) возрождение, оживление (*искусства и т.п.*); 3) (R.) *attr.* относящийся к эпохе Возрождения; R. architecture архитектура Возрождения
80. **renovate** *v* восстанавливать, подновлять, ремонтировать
81. **ridge** *n* 1) конёк (*крыши*); 2) гребень горы; горный хребет; гряда гор; водораздел.
82. **rococo** 1. *n* стиль рококо; 2. *a* 1) в стиле рококо; 2) безвкусно пышный, вычурный, претенциозный; 3) устаревший
83. **sculpture** *n* скульптура
84. **surface** *n* поверхность
85. **sight** *n* вид; зрелище
86. **silhouette** *n* силуэт
87. **smith** *n* 1) кузнец; 2) рабочий по металлу
88. **socle** *n* 1) цоколь, тумба; 2) шпинтус
89. **statue** *n* статуя
90. **stockroom** *n* склад, кладовая
91. **stove** *n* *преим. брит.* теплица, оранжерея
92. **stucco** 1. *n* (*pl* -oes) отделочный, штукатурный гипс; 2. *v* штукатурить
93. **tier** *n* ярус; ряд
94. **tile** *n* 1) черепица; 2) кафель, изразец, плитка
95. **tower** *n* башня; вышка **bell** ~; **watch** ~ дозорная башня, сторожевая башня
96. **transom** *n* поперечный брус, поперечная балка
97. **vault** *n* 1) свод; 2) подвал, погреб, склеп (*со сводом*)

98. **walkway** *n* дорожка; аллея

99. **warehouse** *n* 1) товарный склад; пакгауз; 2) большой магазин;
3) *attr.* складской

100. **woodshed** *n* дровяной сарай

List of Recommended Lexicographic Online Resources

1. Онлайн-словарь АБВУ Lingvo.Pro [Электронный ресурс] / Режим доступа: <http://lingvopro.abbyyonline.com/ru>
2. Словарь Мультитран [Электронный ресурс] / Режим доступа: <http://www.multitrans.ru/>
3. AcronymFinder: Index [Электронный ресурс] / Режим доступа: <http://www.acronymfinder.com/>
4. Computer Glossary, Computer Terms - Technology Definitions and Cheat Sheets from WhatIs.com [Электронный ресурс] / Режим доступа: <http://whatis.techtarget.com/>
5. Dictionary and Thesaurus Merriam-Webster Online [Электронный ресурс] / Режим доступа: <http://www.merriam-webster.com/>
6. Britannica Online Encyclopedia [Электронный ресурс] / Режим доступа: <http://www.britannica.com/>
7. English to French, Italian, German & Spanish Dictionary - WordReference.com [Электронный ресурс] / Режим доступа: <http://wordreference.com/>
8. FOLDOC - Computing Dictionary [Электронный ресурс] / Режим доступа: <http://foldoc.org/>
9. Onelook Dictionary Search [Электронный ресурс] / Режим доступа: <http://www.onelook.com/>
10. Sokr.ru - словарь сокращений русского языка [Электронный ресурс] / Режим доступа: <http://sokr.ru/>
11. The American Heritage Dictionary of the English Language [Электронный ресурс] / Режим доступа: <http://ahdictionary.com/>
12. Webopedia: Online Computer Dictionary for Computer and Internet Terms and Definitions [Электронный ресурс] / Режим доступа: <http://www.webopedia.com/>
13. WordWeb: English dictionary, thesaurus, and word finder software [Электронный ресурс] / Режим доступа: <http://wordweb.info/>
14. Your Dictionary: The Dictionary You Can Understand [Электронный ресурс] / Режим доступа: <http://www.yourdictionary.com/>

References

1. Камминг Дж. Английский язык для студентов архитектурных и строительных специальностей: Учеб.; Предисл. к рус. изданию и англо-рус. словарь проф. В.Н.Бгашева. – М.: ООО «Издательство Астрель»: ООО «Издательство АСТ», 2004. – 270, [2] с.
2. Литвинов П.П. Основы английского языка. Грамматика, словарь, устойчивые выражения. – М.: «Лист», 1998. – 464 с.
3. Пивовар А.Г. Большой англо-русский финансово-экономический словарь. – 2-е изд., испр. / Под ред. В.И.Осипова. – М.: Издательство «Экзамен», 2003. – 960 с.
4. Практический курс английского языка. 2 курс: Учеб. для пед. вузов по спец. «Иностр. яз.» / Под ред. В.Д.Аракина. – 5-е изд., перераб. и доп. – М.: Гуманит. изд. центр ВЛАДОС, 2000. – 520 с.
5. English: Facets of Everyday Life // Let's Speak English. – 4(28)/98. – P. 20–21.
6. Gairns, R., Redman, S., Oxford Word Skills: Advanced. – Oxford University Press, 2009. – 258 p.
7. Garden Glossary // English Teaching Forum. – 2011. – Number 3. – p. 42.
8. Macmillan English Dictionary for Advanced Learners. – Macmillan Publishers Limited, 2006. – 1692 p.
9. McCarthy, M., O'Dell, F. English Vocabulary in Use: Advanced. – Cambridge University Press, 2006. – 320 p.
10. McCarthy, M., O'Dell, F. English Vocabulary in Use: Pre-Intermediate & Intermediate (2nd edition). – Cambridge University Press, 2006. – 316 p.
11. McCarthy, M., O'Dell, F. English Vocabulary in Use: Upper-Intermediate. Cambridge University Press, 2006. – 309 p.
12. Stanton, A., Stephens, M. Fast Track to FCE. Coursebook. – Longman: Pearson Education Limited, 2006. – 208 p.
13. Allemano J. Fast Track to FCE. Teacher's Book. – Longman: Pearson Education Limited, 2006. – 144 p.
14. Redston Ch., Cunningham, G. Face2Face: Upper Intermediate Student's Book. Cambridge University Press, 2007. – 160 p.